

Application

1. The OTC-2110V / OTC-2110V-CRS is designed to work anywhere a standard 2500 type telephone instrument is used.
2. To operate as a “Charge-A-Call” instrument, all restriction functions must be handled by the central office, or other restriction / routing device.
3. A gas tube or other similar protection is recommended for any telephone line using this phone.
4. The OTC-2110V / OTC-2110V-CRS is adaptable to any standard pay telephone enclosure or mounting back plate, and can be used as a replacement for:
 - a. CEECO model BLC-301/303 SSC-301/303.
 - b. Phillips Brooks & Gladwin models GS5010SS, G07010, G07010SS
 - c. Quadrum Communications LLC models 6Q2, 7Q
 - d. Telecom Marketing Group models CT300, CT400, CT700, CT2000

Features

1. OTC-2110V is made of 14-gauge stainless steel with fine-brushed finish.
2. OTC-2110V-CRS is made of 14-gauge cold rolled steel and is finished with durable polyester powder coat paint.
3. All major components are modular for easy field replacement and cost effectiveness.
4. Metal DTMF keypad assembly is moisture, fire, and shock resistant.
5. Armored magnetic hook-switch lever assembly.
6. Electronics are conformal coated to resist moisture and corrosion.
7. Field adjustable noise reduction.
8. Stainless steel pinhead security screw minimizes tampering.
9. Armored handset assembly is equivalent to standard coin telephone handsets.
10. Quick-change handset retainer bracket allows for 15-second field replacement of handset assembly with no tools required.
11. Volume amplification provides 3 steps of additional volume to meet ADA requirements.
12. Hearing aid compatible and FCC / ACTA registered.
13. Telephone line powered; 42VDC to 56VDC.
Loop current range: 20mA to 90mA.
14. Measures: 10.6”H X 5.4”W X 2.7”D (5” deep with cradle).
Weight: 7 lbs (3.2KG)



Installation Instructions

1. Separate the back panel from the OTC-2110V / OTC-2110V-CRS front housing by removing the security screw, which is located at the bottom of the front housing. Unplug the RJ-11 telephone cable.
2. Select the mounting location and mount the back panel using all 4 mounting hole locations. (It is recommended that you mount the phone to a concrete wall, or use a mounting back plate with an adapter plate.)
3. Connect the C/O wires to the terminal block, which is located on the OTC-2110V / OTC-2110V-CRS back panel.
4. Connect the earth ground to the center screw of the terminal block.
5. Connect the RJ-11 cable to the OTC-2110V / OTC-2110V-CRS keypad PCB. Attach the front housing to the mounted back panel by installing the security screw.
6. Perform functional testing to determine that the telephone and any supplementary equipment are operating properly.
7. Field adjustable noise reduction: After mounting the phone, the installation personnel must reduce the noise by adjust the CON3 jumper. The default volume is **NORMAL**. The adjusting method is very simple: Dial a number and talk. If the other side gets a too loud voice, adjust the jumper to **LOW**. If the other side gets a too low voice, adjust the jumper to **HIGH**.

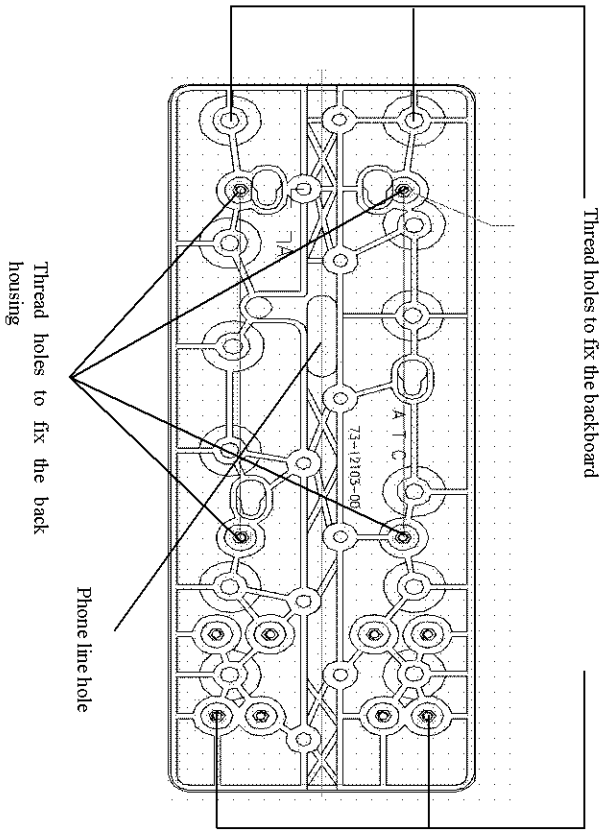
Major components list

Contact OTC Telecom (800-753-1707) for any replacement parts that may be needed.

1. OTC-2110V / OTC2110V-CRS Armored magnetic hook switch lever assembly.
2. OTC-2110V / OTC-2110V-CRS armored keypad assembly.
3. Handset assembly, 18 inch with modular connector.
4. Handset assembly, 32 inch with modular connector.
5. Screw, SS, security 10-32 X 3/8 inch, 5/32-inch pinhead.
6. Adapter back-plate, metal.

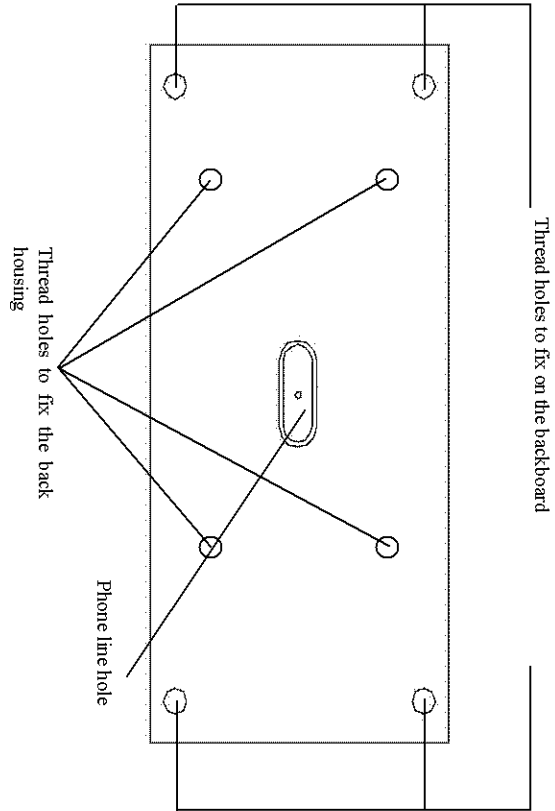


**OTC-2100V / OTC-2110V-CRS
Operation Manual**



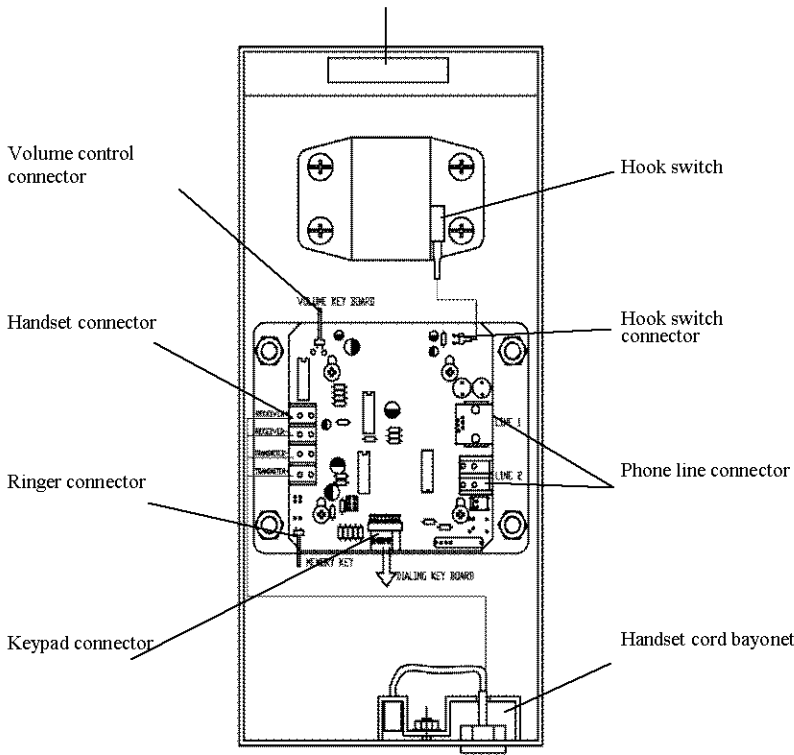
Backboard

Bolt

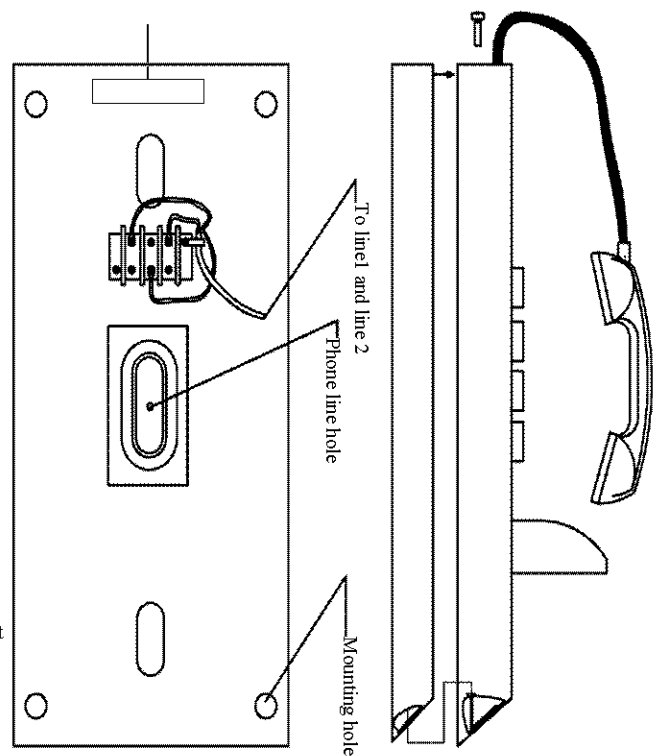


Adapter board

Socket



Front housing



Back housing

Performance Quota:

Environment Accommodation

Environment Temperature: -10°C~40°C; Relative Humidity: 45%~95%;
 Atmospheric Pressure: 86~106Kpa; Environment Noise: ≤60dB(A)

Working Frequency

Working Frequency: 300~3400 Hz

Dialing Property

DTMF:

High Freq. / Low Freq.	1209Hz	1336Hz	1447Hz	1633Hz
697Hz	1	2	3	A
770Hz	4	5	6	B
852Hz	7	8	9	C
941Hz	*	0	#	D

Low frequency group level: 20mA: 0~-10dBm; 80mA: 0~-14dBm

High frequency group level: 20mA: 0~-8dBm; 80mA: 0~-12dBm

Frequency Tolerance: ≤1.5%

Transmission Property

Artificial Line Length / Item	0 Km (dB)	5 Km (dB)
Sending Loudness Rate (SLR)	-41~-59	-32~49
Receiving Loudness Rate (RLR)	54~38	58~43
Side Tone Masking Rate (STMR)	≥3	≥0

DC Resistance

off-hook: ≤300Ω; on-hook: ≥5MΩ

Points for Attention:

Avoid using strong chemical products, detergents or strong cleaners. If there is any problem with the telephone set, send it to the agency or deputy in your area for repair. Or contact with the technical service department of our company. If the telephone is connected with another extension in parallel, don't use the two telephones simultaneously. Otherwise, the communication quality would be influenced. This manual is according to the current software version. If the software is upgraded, follow-up notice won't be issued.

Trouble Shooting:

- **No dial tone:**
Verify that the telephone lines are properly connected, the phone line is powered, or the voltage is in the proper range.
Verify that the handset is connected properly and is in good working order.

- **Static:**
Please check if circuit connection coming loose or peeling.
Please check if there is loose contact to the exterior line connector.

- **Can't dial:**
Verify that the keypad main board is connected properly.
Verify that the keypad assembly is not water saturated. If the keypad buttons are water saturated, it may cause a short circuit on the telephone dial circuits. Allow the phone to air dry, then it will resume normal operations.
There is something wrong in the dialing unit. Please have it repaired.

FCC Notice

Statement of Compliance: This equipment complies with Part 68 of the FCC rules and the requirements adopted by the ACTA. The label affixed to this equipment contains, among other information, the FCC number [US:OTCTE11B2000], and the ringer equivalence number [REN]. If requested, this number must be provided to the telephone company.

USOC/FIC Codes: When ordering service from the telephone company for the model OTC-2000 Series Telephones, the following information should be supplied:

- Universal Service Order Code (USOC): RJ-11C/W
- The Facility Interface Code (FIC): 02LS2

Plug & Jack: The plug and jack used to connect this equipment to premise wiring and telephone network must comply with the applicable FCC Part 68 rules and requirements adopted by the ACTA. The OTC Model 2000 Series telephones is typically hardwired to the telephone company demarcation or, alternately, connected to a modular jack. A compliant telephone cord and modular plug is provided with this product for installations where a modular jack is utilized. The telephone cord is designed to be connected to a compatible modular jack that is also compliant. See installation instructions for details.

Ringer Equivalency Number (REN): The REN is used to determine the number of devices that may be connected to a telephone line. Excessive RENs on a telephone line may result in the devices not ringing in response to an incoming call. In most, but not all areas, the sum of the RENs should not exceed five (5.0). To be certain of the number of devices that may be connected to a line, as determined by the total RENs, contact the local telephone company. The REN for the OTC-2000 Series telephones is 1.1, the ringer class is B.

Harm to the Network: If the OTC-2000 Series telephone causes harm to the telephone network, the telephone company will notify you in advance that the temporary discontinuance of service may be required. But if advance notice is not practical, the telephone company will notify the customer as soon as possible. Also, you will be advised of your right to file a complaint with the FCC if you believe it is necessary.

Notification of Changes in the Telephone Company Equipment: The telephone company may make changes in its facilities, equipment, operations or procedures that could affect the operation of the equipment. If this happens, the telephone company will provide advance notice in order for you to make the necessary modifications to maintain uninterrupted service.

Repairs or Returns: If trouble is experienced with the OTC-2000 Series telephones, for repairs or warranty information, contact:

OTC Telecom Corporation
138 Mountain Brook Drive
Canton, GA. 30115
Telephone: 800-753-1707 / 770-345-8900

If the equipment is causing harm to the telephone network, the telephone company may request that you disconnect the equipment until the problem is resolved. Repairs should be made only by a qualified factory representative.

Party Lines: The OTC-2000 Series telephones must not be used on party lines. Connection to party line service is subjected to state tariffs. Contact the state public utility commission, public service commission, or corporation commission for information.

Alarm Equipment: You should ensure that the OTC-2000 Series telephones does not disable alarm equipment in installations where the alarm equipment utilizes the same telephone network connection as the telephone. If you have questions about what will disable the alarm equipment, consult your Telephone Company, or qualified installer.

HAC: The OTC-2000 Series telephones is hearing aid compatible.



138 Mountain Brook Drive
Canton, Georgia 30115
Tel: 770-345-8900 / 800-753-1707
Fax: 770-345-8142
Website: <http://www.prisonphones.com>

PRINTED CIRCUIT BOARD CONNECTIONS

